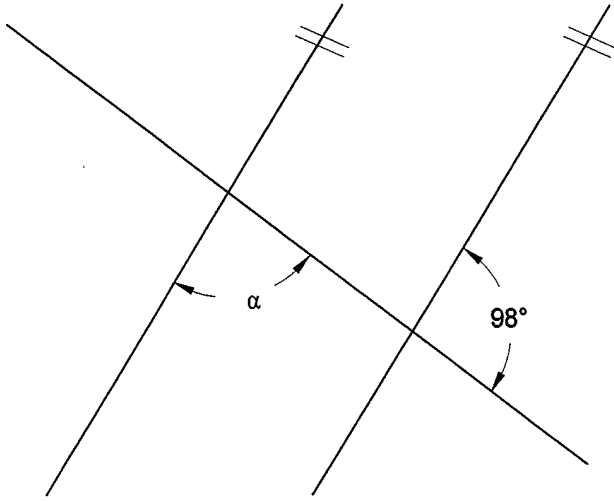
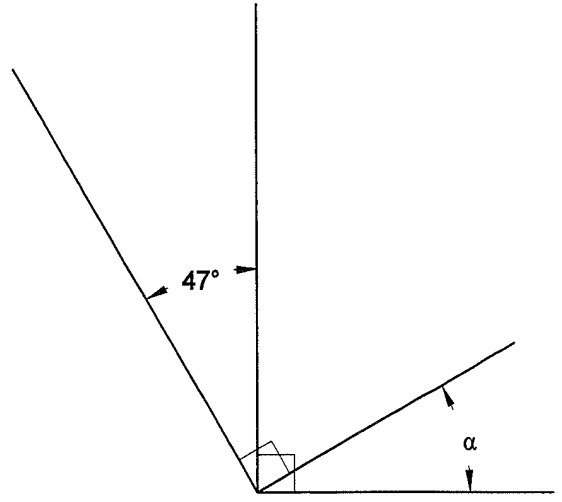


AB 9: Winkelberechnungen 2

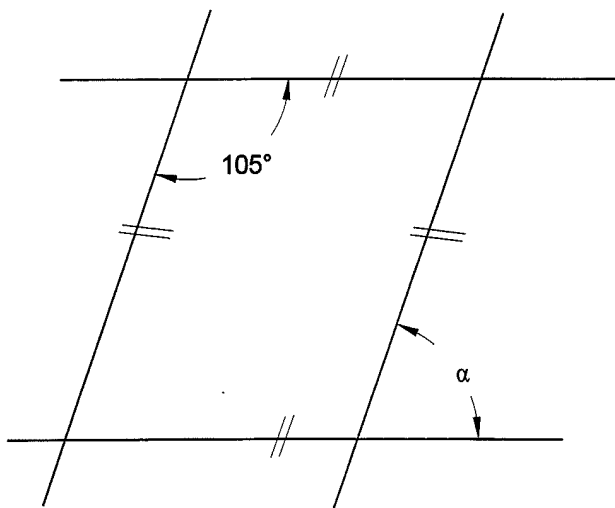
7. $\alpha =$ _____



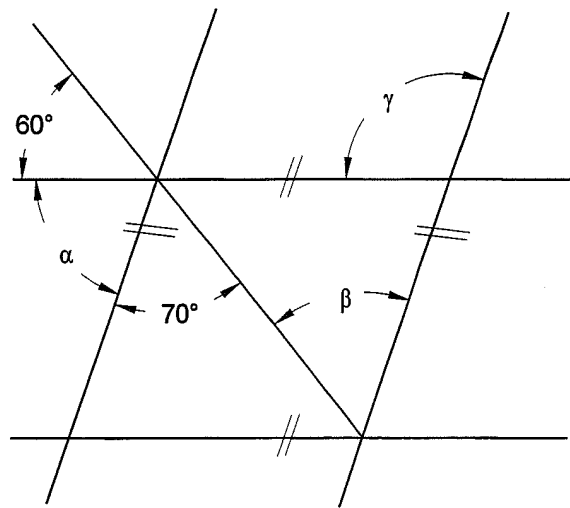
8. $\alpha =$ _____



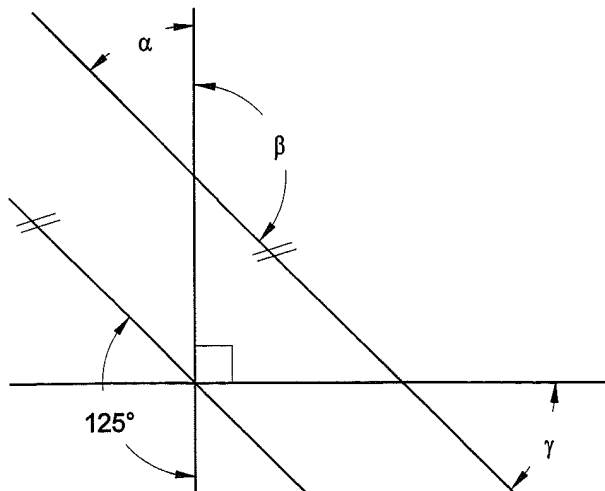
9. $\alpha =$ _____



10. $\alpha =$ _____ $\beta =$ _____ $\gamma =$ _____



11. $\alpha =$ _____ $\beta =$ _____ $\gamma =$ _____



12. $\alpha =$ _____

